



US00D898122S

(12) **United States Design Patent** (10) **Patent No.:** **US D898,122 S**
Rivard (45) **Date of Patent:** **** Oct. 6, 2020**

(54) **THROWING GAME BOARD**
(71) Applicant: **Rivard Companies, Inc.**, East Bethel, MN (US)
(72) Inventor: **Michael Rivard**, Cedar, MN (US)
(73) Assignee: **Rivard Companies, Inc.**, East Bethel, MN (US)
(**) Term: **15 Years**
(21) Appl. No.: **29/610,922**
(22) Filed: **Jul. 17, 2017**
(51) **LOC (12) Cl.** **21-01**
(52) **U.S. Cl.**
USPC **D21/303; D21/342; D21/337; D21/364**
(58) **Field of Classification Search**
USPC D21/303, 301, 302, 304, 300, 334, 336, D21/341, 342, 343, 319, 789, 790, 791, D21/792, 397; 273/398-402, 343, 317, 273/336, 348, 407, 408, 410, 108, 287, 273/331, 236, 118 R, 123 R, 127 R; 473/180, 175, 179, 182, 185, 187, 569, 473/592
CPC A63B 63/00; A63B 63/08; A63B 67/00; A63B 67/06; A63B 67/066; A63B 2063/002; A63B 2067/065; A63B 2067/063; A63B 2067/061; A63B 2208/12; A63B 71/00
See application file for complete search history.

3,568,357 A 3/1971 Lebensfeld
D222,485 S * 10/1971 Grant D21/337
3,762,708 A 10/1973 Hing
3,820,789 A 6/1974 Dudley
3,837,650 A 9/1974 Haney
3,840,234 A * 10/1974 Felsten A63F 7/042
273/113
3,905,602 A * 9/1975 Madonna, Jr. A63F 3/00
273/249
4,022,472 A 5/1977 Seals
4,120,499 A * 10/1978 Stazzone A63B 67/06
273/338
4,276,705 A 7/1981 Barth et al.
4,331,335 A 5/1982 Starkweather
D272,841 S * 2/1984 Matsumoto D21/478
(Continued)

OTHER PUBLICATIONS

"U.S. Appl. No. 15/843,966, Non Final Office Action dated Aug. 7, 2018", 8 pgs.
(Continued)

Primary Examiner — Susan Moon Lee
(74) *Attorney, Agent, or Firm* — Schwegman Lundberg & Woessner, P.A.

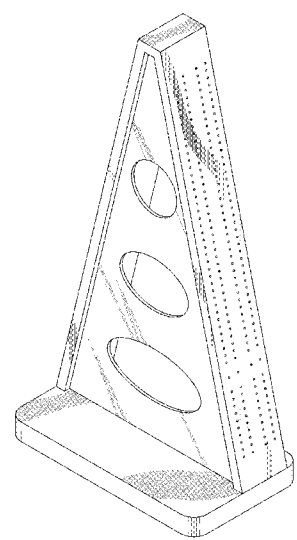
(57) **CLAIM**
An ornamental design for a throwing game board, as shown and described.

DESCRIPTION

FIG. 1 is a front, right side isometric view of a throwing game board showing my new design; FIG. 2 is a front elevational view thereof; FIG. 3 is a rear elevational view thereof; FIG. 4 a top elevational view thereof; FIG. 5 is a bottom elevational view thereof; FIG. 6 is a right side elevational view thereof; and, FIG. 7 is a left side elevational view thereof.

1 Claim, 7 Drawing Sheets

(56) **References Cited**
U.S. PATENT DOCUMENTS
731,192 A * 6/1903 Lewis A63B 67/06
273/338
1,989,484 A * 1/1935 Maryfield A63F 9/02
273/402
3,165,317 A 1/1965 Kirsch
3,178,227 A * 4/1965 Snyder A47C 5/005
297/440.12



(56)

References Cited

U.S. PATENT DOCUMENTS

4,826,177 A 5/1989 Ponte
 4,919,436 A 4/1990 Buselli
 4,923,201 A 5/1990 Nichol et al.
 4,927,160 A 5/1990 Nicol et al.
 4,938,485 A 7/1990 Hockridge et al.
 4,943,065 A 7/1990 Delapa
 4,961,586 A 10/1990 Conville
 4,986,549 A 1/1991 Kuhtic et al.
 D315,186 S * 3/1991 Peterson D21/803
 5,050,889 A 9/1991 Walker
 5,056,796 A 10/1991 Conville
 5,165,695 A 11/1992 Yoder
 D343,426 S * 1/1994 Sher 446/128
 D343,790 S * 2/1994 Mermelstein D9/418
 5,318,308 A 6/1994 Holms
 5,320,360 A 6/1994 St. Pierre
 5,332,230 A 7/1994 Benedict
 D363,953 S 11/1995 Buse
 5,516,114 A 5/1996 Michlin et al.
 5,536,017 A 7/1996 Salisian
 D392,185 S * 3/1998 Husted D9/418
 5,765,832 A 6/1998 Huff
 5,871,216 A 2/1999 Sparacino
 5,909,877 A 6/1999 Bour
 6,244,598 B1 6/2001 Conville
 6,554,724 B2 4/2003 Taylor
 D478,194 S * 8/2003 McGinty D30/160
 6,843,478 B1 1/2005 Hoepelman
 6,866,268 B2 3/2005 Christianson
 D505,321 S * 5/2005 Bechard D9/418
 6,932,345 B1 8/2005 O'Dell
 D515,683 S * 2/2006 LaBlaine D23/366
 7,096,790 B1 * 8/2006 Wah F42B 4/20
 102/343
 D544,041 S 6/2007 Murphy et al.
 7,237,777 B2 7/2007 Digges, III et al.
 7,314,420 B2 1/2008 Konstant
 D592,410 S * 5/2009 Pozin D6/309
 7,607,666 B1 10/2009 Studier
 D604,977 S 12/2009 Conville
 D616,728 S * 6/2010 Bucci D21/505
 7,802,795 B2 9/2010 Bos
 7,854,528 B2 12/2010 Segretto et al.
 D631,729 S * 2/2011 Bucci D21/505
 7,887,059 B2 2/2011 Kiernan
 D635,010 S * 3/2011 Bucci D21/505
 D635,197 S 3/2011 Pryor
 D642,447 S * 8/2011 Bucci D8/354
 D645,520 S 9/2011 Dahl
 D649,435 S * 11/2011 Bucci D21/505
 D652,709 S * 1/2012 Bucci D8/354
 8,127,689 B2 3/2012 Christian et al.
 8,157,265 B2 4/2012 Conville et al.
 8,162,318 B1 4/2012 Peterson et al.
 D660,685 S * 5/2012 Bucci D21/505
 D662,746 S 7/2012 Conville
 D668,933 S * 10/2012 Bucci D8/354
 D669,760 S * 10/2012 Bucci D8/354
 D672,222 S * 12/2012 Bucci D8/354
 D673,027 S * 12/2012 Wang D8/354
 8,347,790 B1 1/2013 Maiers
 8,444,150 B1 5/2013 Stirtz
 8,657,293 B2 2/2014 Sindaco
 D706,353 S 6/2014 Montenare
 D706,354 S 6/2014 Montenare
 D706,355 S 6/2014 Montenare
 8,794,629 B1 8/2014 Humphreys
 8,807,569 B1 8/2014 Davis
 8,827,845 B1 9/2014 Griffin
 D741,409 S 10/2015 Moulton
 D741,951 S 10/2015 Angel
 9,248,357 B2 2/2016 Francis
 9,381,414 B1 7/2016 Gattton
 9,550,101 B2 1/2017 Janeri
 9,687,708 B2 6/2017 Bennett

9,687,709 B2 6/2017 Riniti
 D835,614 S * 12/2018 Kahn D14/240
 D837,092 S * 1/2019 Yang D11/131.1
 D848,595 S * 5/2019 Nechita D23/366
 2002/0079645 A1 6/2002 Brown
 2005/0023762 A1 2/2005 Greiwe et al.
 2006/0038341 A1 2/2006 Konstant
 2006/0125186 A1 6/2006 Digges, III et al.
 2006/0255537 A1 11/2006 Gandley
 2007/0080499 A1 4/2007 Greiwe et al.
 2008/0157476 A1 7/2008 Striebel et al.
 2008/0179833 A1 7/2008 Held et al.
 2009/0051133 A1 2/2009 Oshiro
 2009/0062002 A1 3/2009 Kotlarik et al.
 2009/0091926 A1 4/2009 Segretto et al.
 2009/0115136 A1 5/2009 Voden
 2009/0295093 A1 12/2009 Kiernan
 2010/0058958 A1 3/2010 Christian et al.
 2010/0140873 A1 6/2010 Britton et al.
 2010/0164175 A1 7/2010 Buchanan
 2010/0181726 A1 7/2010 Bos
 2010/0194047 A1 8/2010 Sauerwine
 2010/0295248 A1 11/2010 Krause et al.
 2010/0320692 A1 12/2010 Tookey
 2011/0193287 A1 8/2011 Hopkins et al.
 2011/0215528 A1 9/2011 Conville et al.
 2011/0291357 A1 12/2011 Boyle
 2012/0038109 A1 2/2012 Battista
 2012/0193873 A1 8/2012 Sindaco
 2013/0026713 A1 1/2013 Angel
 2013/0082442 A1 4/2013 Hanel
 2013/0234394 A1 9/2013 Voden
 2014/0015198 A1 1/2014 Francis
 2014/0052646 A1 2/2014 Ross
 2014/0091525 A1 4/2014 Ramirez
 2014/0091526 A1 4/2014 Nally
 2014/0151963 A1 6/2014 Bennett
 2014/0183822 A1 7/2014 Etheridge
 2014/0183823 A1 7/2014 Deming et al.
 2014/0239594 A1 8/2014 Deloatch
 2014/0333028 A2 11/2014 Nally
 2015/0108719 A1 4/2015 Devine
 2015/0115532 A1 4/2015 Martinson et al.
 2015/0130135 A1 5/2015 Shalhoub
 2015/0231467 A1 8/2015 Sciandra
 2015/0265894 A1 9/2015 Weber et al.
 2015/0328515 A1 11/2015 Prendergast
 2016/0008689 A1 1/2016 Janeri
 2016/0023095 A1 1/2016 Nally
 2016/0065883 A1 3/2016 Huffman et al.
 2016/0082334 A1 3/2016 Olive
 2016/0089589 A1 * 3/2016 Ali A63B 63/00
 273/401
 2016/0192783 A1 7/2016 Kelly
 2016/0256758 A1 9/2016 Riniti
 2016/0325163 A1 11/2016 Tsai
 2017/0056739 A1 3/2017 Jacobson et al.
 2017/0095715 A1 4/2017 Maginnis
 2017/0113112 A1 4/2017 Voss
 2017/0138586 A1 5/2017 Finch et al.
 2017/0173427 A1 6/2017 Wolters
 2017/0173428 A1 6/2017 Wolters
 2018/0207503 A1 7/2018 Rivard
 2020/0114235 A1 4/2020 Rivard

OTHER PUBLICATIONS

U.S. Appl. No. 16/519,965, filed Jul. 23, 2019, Method and Apparatus for Bag Throwing Game.
 U.S. Appl. No. 15/843,966, Final Office Action dated Jan. 23, 2019, 7 pgs.
 U.S. Appl. No. 15/843,966, filed Jan. 4, 2019 to Non Final Office Action dated Aug. 7, 2018, 8 pgs.
 U.S. Appl. No. 16/519,965, Non Final Office Action dated Feb. 10, 2020, 13 pgs.

(56)

References Cited

OTHER PUBLICATIONS

U.S. Appl. No. 15/843,966, filed Dec. 15, 2017, Method and Apparatus for Bag Throwing Game.

* cited by examiner

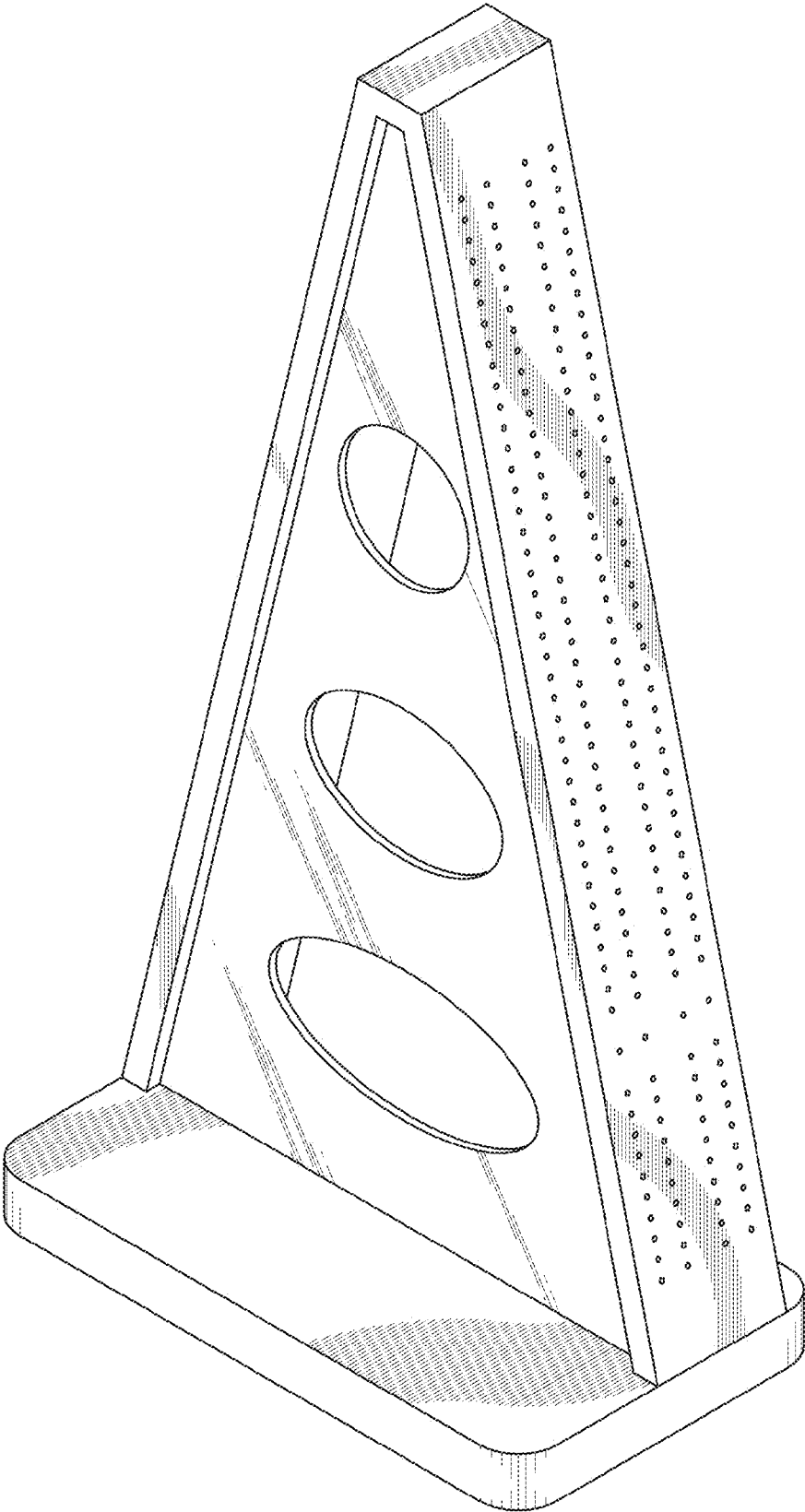


Fig. 1

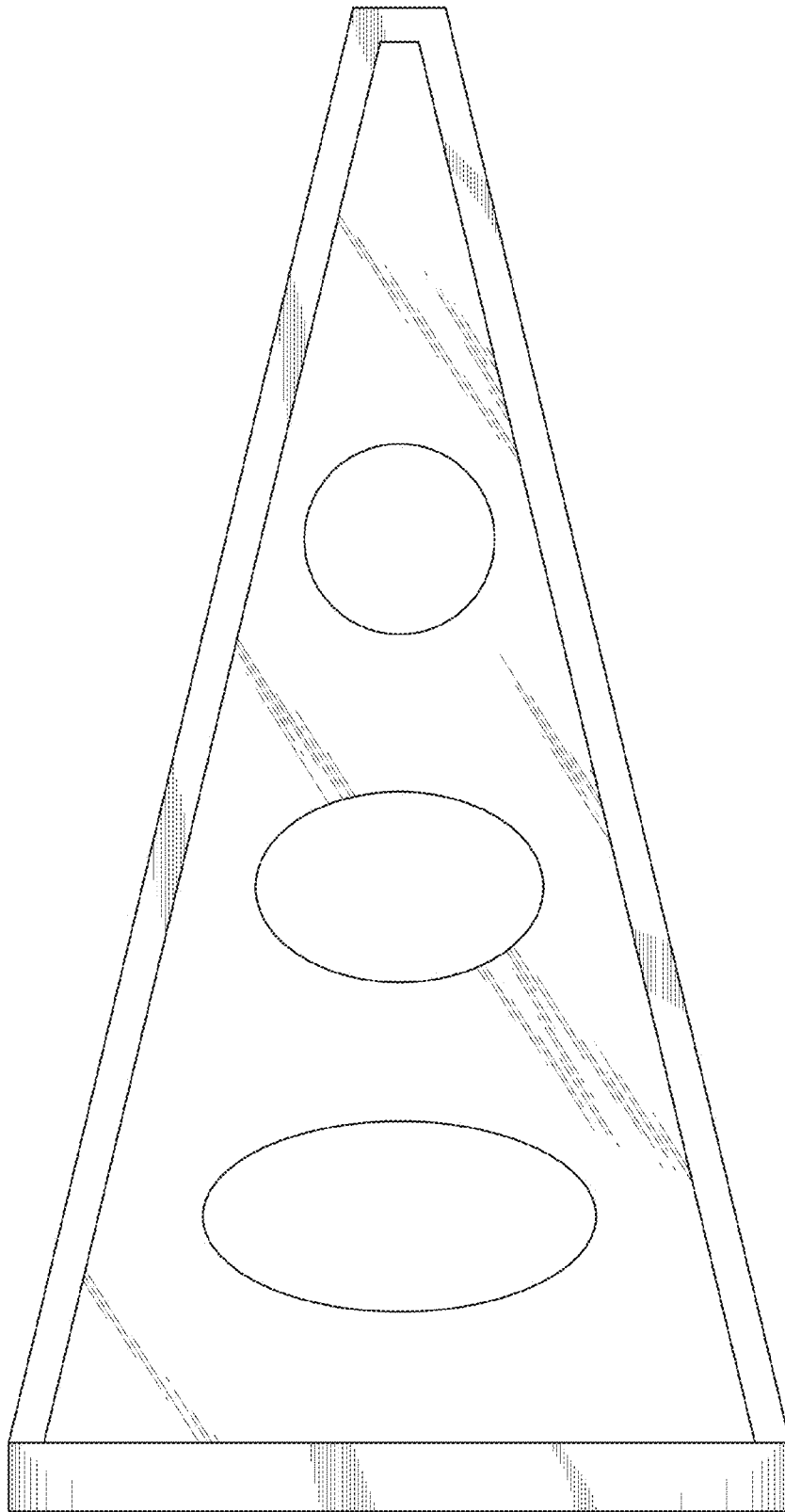


Fig. 2

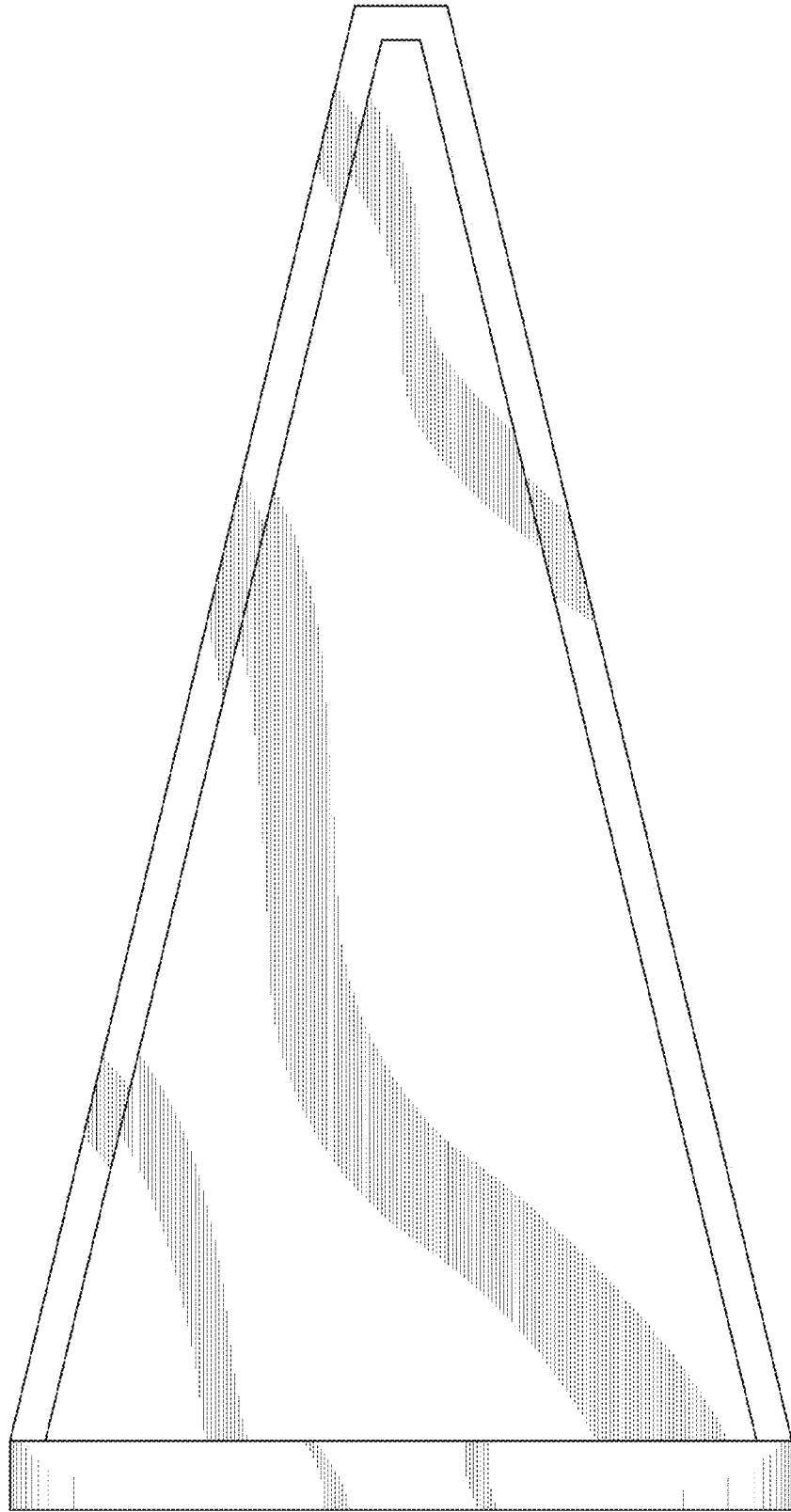


Fig. 3

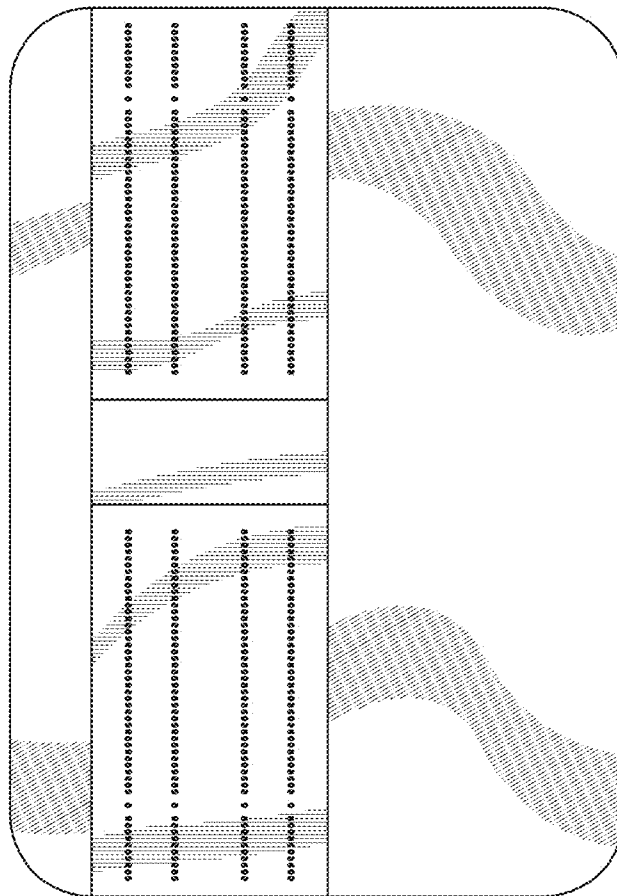


Fig. 4

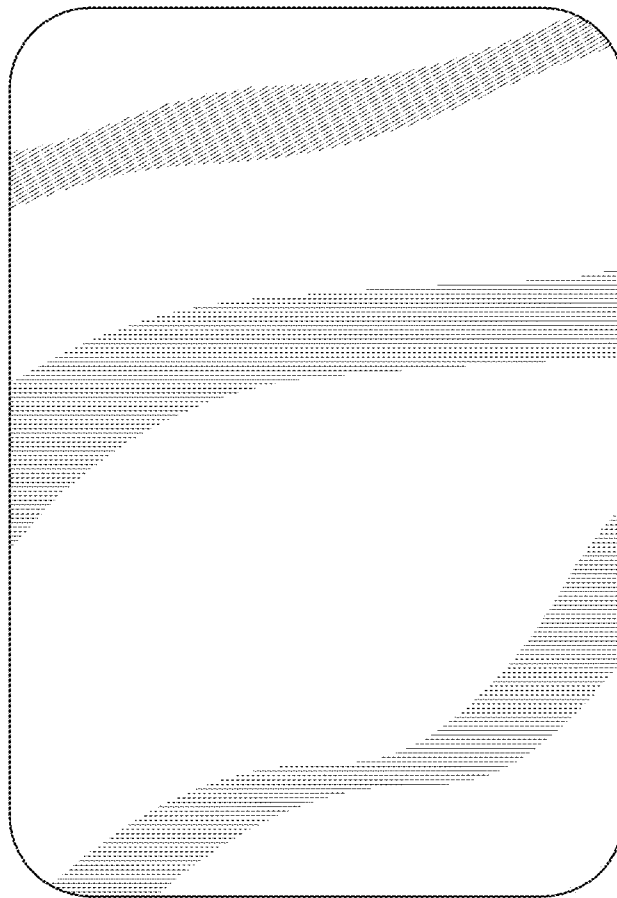


Fig. 5

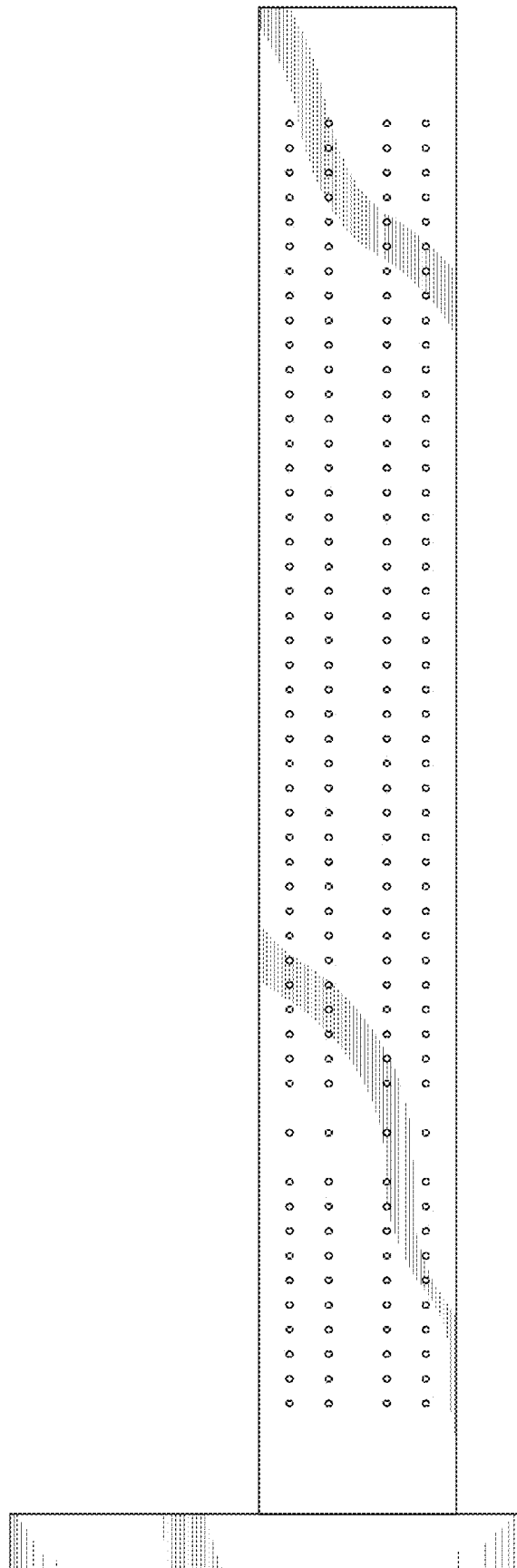


Fig. 6

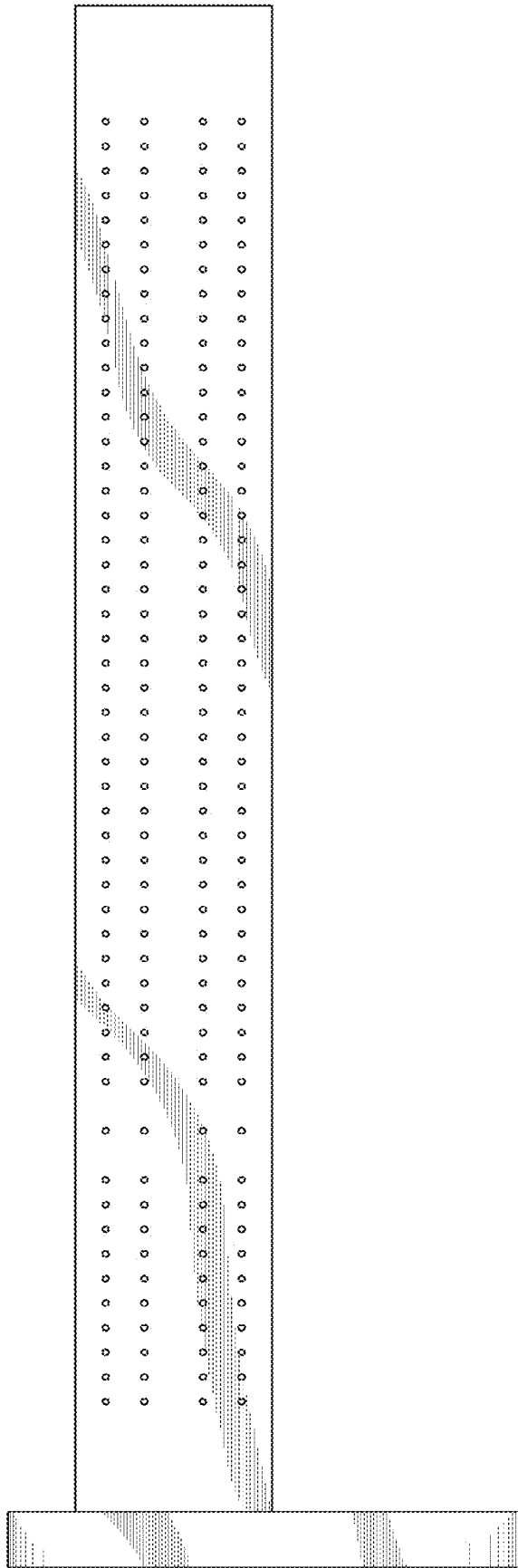


Fig. 7